



DESCRIPTION:

- Adjustable in-track driver LED tracklight with zoomable beam angle, excellent optical performance and maximum eye comfort. Designed with an anti-glare ring to provide ultra-lighting performance.
- Ideal for office, commercial, leisure, hospitality and retail applications.
- CRI 90, UGR < 10, efficacy of up to 80lm/w and an output of up to 1200lm.
- Specific rotation control to 0-355°. Narrow, medium and wide beam angles available for different lighting applications. Complete family of products of different sizes.



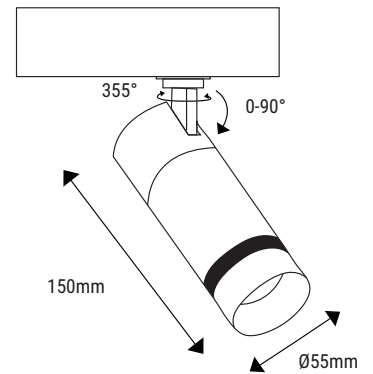
Family of Products



TECHNICAL:

Mains Voltage (V):	220-240
Power (W):	15
Ingress Protection (IP):	20
Optional (IP):	-
MacAdam Ellipse:	3 Step MacAdams
CRI:	>90
UGR:	<10

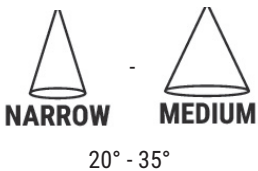
Efficiency (lm/W):	80
Operating Temp (oC):	25°
Operating Hours:	50,000
Optic Diffuser:	Lens
Finish:	White or Black
Warranty:	5 Years
Installation:	Tracklight



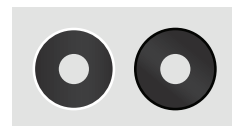
SPECIFICATION:



UGR
10



White Bezel Black Bezel



Please contact us for other specific product options, variants and finishes: hello@chiaralighting.com

HOW TO ORDER: Fill out the Code Builder on the next page



Please note: specification values may change due to rapid development of lighting technology. All performance data is taken at an ambient temperature of +25°C. Data may be rounded up/down for illustrative purposes. Tolerance range of optical and electrical data is +/-10%. We reserve the right to amend or change details without prior notification.

Chiara Lighting Ltd | Unit 18, Calderdale Business Park, Club Lane, Halifax, HX2 8DB United Kingdom
T: +44 (0)330 0571 888 | E: hello@chiaralighting.com | W: www.chiaralighting.com





MODEL	CRI	CCT	WATTAGE	BEAM	BEZEL FINISH	BAFFLE FINISH	CONTROL	ACCESSORIES
Roxy Art Zoom (RoxyA-Z)	>90 (9)	2700K (27) 3000K (30) 4000K (40)	15W (15)	20° - 35° (20-35)	White (W) Black (B)	Black (B)	Switched (S) Phase Dim (PD) DALI (DA) Casambi (C)	Honeycomb (HC) No Accessory (X)

Example code:

RoxyA-Z _ **9** _ **27** _ **15** _ **20-35** _ **W** _ **B** _ **S** _ **HC**

RoxyA-Z.9.27.15.20-35.W.B.S.HC

LUMEN OUTPUT

2700K = 1000lm

3000K = 1100lm

4000K = 1200lm