



DESCRIPTION:

- Adjustable in-track driver LED tracklight with excellent optical performance and maximum eye comfort. Designed with an anti-glare ring to provide ultra-lighting performance.
- Ideal for office, commercial, leisure, hospitality and retail applications.
- CRI 90, UGR < 10, efficacy of up to 66.7lm/w and an output of up to 1000lm.
- Specific rotation control to 0-355°. Narrow, medium and wide beam angles available for different lighting applications. Complete family of products of different sizes.



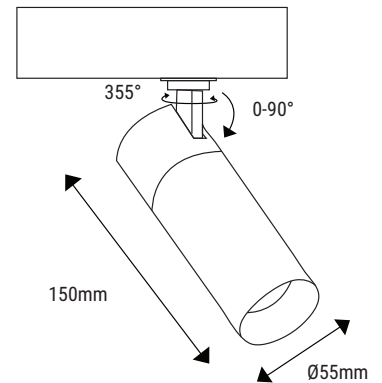
Family of Products



TECHNICAL:

Mains Voltage (V): 220-240
 Power (W): 15
 Ingress Protection (IP): 20
 Optional (IP): -
 MacAdam Ellipse: 3 Step MacAdams
 CRI: >90
 UGR: <10

Efficiency (lm/W): 66.7
 Operating Temp (oC): 25°
 Operating Hours: 50,000
 Optic Diffuser: Lens
 Finish: White or Black
 Warranty: 5 Years
 Installation: Tracklight



SPECIFICATION:



UGR
10



White Bezel Black Bezel



Please contact us for other specific product options, variants and finishes: hello@chiaralighting.com

HOW TO ORDER: Fill out the Code Builder on the next page



Please note: specification values may change due to rapid development of lighting technology. All performance data is taken at an ambient temperature of +25°C. Data may be rounded up/down for illustrative purposes. Tolerance range of optical and electrical data is +/-10%. We reserve the right to amend or change details without prior notification.

Chiara Lighting Ltd | Unit 18, Calderdale Business Park, Club Lane, Halifax, HX2 8DB United Kingdom
 T: +44 (0)330 0571 888 | E: hello@chiaralighting.com | W: www.chiaralighting.com





In-track Driver LED Tracklight

Code Builder

MODEL	CRI	CCT	WATTAGE	BEAM	BEZEL FINISH	BAFFLE FINISH	CONTROL	ACCESSORIES
Roxy Art (RoxyA)	>90 (9)	2700K (27) 3000K (30) 4000K (40)	15W (15)	18° (18) 25° (25) 36° (36)	White (W) Black (B)	Black (B)	Switched (S) Phase Dim (PD) DALI (DA) Casambi (C)	Honeycomb (HC) No Accessory (X)

Example code:

RoxyA — **9** — **27** — **15** — **18** — **W** — **B** — **S** — **HC**

RoxyA.9.27.15.18.W.B.S.HC

LUMEN OUTPUT

2700K = 900lm
3000K = 950lm
4000K = 1000lm