



**DESCRIPTION:**

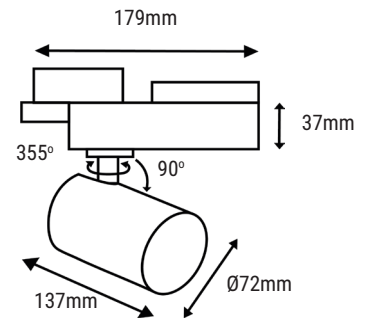
- Adjustable LED tracklight with a clever combination of lens and reflector to give excellent optical performance with maximum eye comfort. Designed with an anti-glare ring to provide ultra-lighting performance.
- Ideal for office, commercial, leisure, hospitality and retail applications.
- CRI 90, UGR < 19, efficacy of up to 75lm/w and an output of up to 2100lm
- Specific mechanical rotation control 0-355°. Part of a family of products with a range of sizes available.



**TECHNICAL:**

Mains Voltage (V): 220  
 Power (W): Up to 28  
 Ingress Protection (IP): 20  
 Optional (IP): -  
 MacAdam Ellipse: 3 SCDM  
 CRI: >90  
 UGR: <19

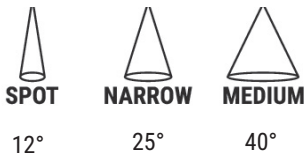
Efficiency (lm/W): Up to 75  
 Operating Temp (oC): -25 to +35  
 Operating Hours: 50,000  
 Body: Aluminium  
 Optic Diffuser: Microprismatic  
 Finish: Black  
 Warranty: 5 Years  
 Installation: Tracklight



**SPECIFICATION:**



**UGR**  
**< 19**



White Bezel Black Bezel



Please contact us for other specific product options, variants and finishes: [hello@chiaralighting.com](mailto:hello@chiaralighting.com)

**HOW TO ORDER:** Fill out the Code Builder on the next page



Please note: specification values may change due to rapid development of lighting technology. All performance data is taken at an ambient temperature of +25°C. Data may be rounded up/down for illustrative purposes. Tolerance range of optical and electrical data is +/-10%. We reserve the right to amend or change details without prior notification.

Chiara Lighting Ltd | Unit 18, Calderdale Business Park, Club Lane, Halifax, HX2 8DB United Kingdom  
 T: +44 (0)330 0571 888 | E: [hello@chiaralighting.com](mailto:hello@chiaralighting.com) | W: [www.chiaralighting.com](http://www.chiaralighting.com)





MODEL	CRI	CCT	WATTAGE	BEAM	BEZEL FINISH	BAFFLE FINISH	CONTROL	ACCESSORIES
Focus S ( <b>FS</b> )	>90 ( <b>90</b> )	2700K ( <b>27</b> ) 3000K ( <b>30</b> ) 4000K ( <b>40</b> )	15W ( <b>15</b> ) 28W ( <b>28</b> )	12° ( <b>12</b> ) 25° ( <b>25</b> ) 40° ( <b>40</b> )	White ( <b>W</b> ) Black ( <b>B</b> )	Black ( <b>B</b> )	Switched ( <b>S</b> ) Phase Dim ( <b>PD</b> ) DALI ( <b>DA</b> ) Casambi ( <b>C</b> )	Honeycomb ( <b>HC</b> )

Example code:

**FS**   **9**   **27**   **15**   **12**   **W**   **B**   **S**   **HC**

**FS.9.27.15.12.W.B.S.HC**

LUMEN OUTPUT

15W	28W
2700K = 950lm	2700K = 1800lm
3000K = 1000lm	3000K = 1900lm
4000K = 1100lm	4000K = 2100lm